

CONDENSATOARE TRI FAZATE IN CARCASA CILINDRICA DE ALUMINIUM

IP00, ULEI

Tensiune nominala	230 V,	50 Hz,	conexiune		UL/ULc		
Tip	Articol nr.	Iesire kVAr	Capacitate μ F	Curent A	Dimensiuni \varnothing * H (mm)	Greutate kg	Desen nr.
PhMKP230.3.10,00-84	5341-44400-xx	10	3 * 200.6	25.1	84.4 * 265	1.7	2
PhMKP230.3.12,50-84	5341-44401-xx	12.5	3 * 250.7	31.4	84.4 * 340	2.0	2
PhMKP230.3.15,00-84	5341-44402-xx	15	3 * 300.9	37.7	84.4 * 340	2.1	2

Tensiune nominala	400 V	50 Hz,	conexiune		UL/ULc			
Tip	Articol nr.	Iesire 400 V	KVAr 415 V	Capacitate μ F	Curent A 400/415V	Dimensiuni \varnothing * H (mm)	Greutate kg	Desen nr.
PhMKP400.3.10,00-84	5341-44403-xx	10	10.8	3 * 66.3	14.4/15.0	84.4 * 190	1.3	2
PhMKP400.3.12,50-84	5341-44404-xx	12.5	13.5	3 * 82.9	18.0/18.7	84.4 * 190	1.3	2
PhMKP400.3.15,00-84	5341-44405-xx	15	16.1	3 * 99.5	21.6/22.4	84.4 * 190	1.3	2
PhMKP400.3.16,70-84	5341-44406-xx	16.7	18.0	3 * 110.7	24.1/25.0	84.4 * 265	1.7	2
PhMKP400.3.20,00-84	5341-44407-xx	20	21.5	3 * 132.6	28.8/30.0	84.4 * 265	1.7	2
PhMKP400.3.25,00-84	5341-44408-xx	25	26.9	3 * 165.8	36.1/37.4	84.4 * 265	1.7	2

Tensiune nominala	440 V	50 Hz,	conexiune		UL/ULc			
Tip	Articol nr.	Iesire 440 V	KVAr 415 V	Capacitate μ F	Curent A 440/415V	Dimensiuni \varnothing * H (mm)	Greutate kg	Desen nr.
PhMKP440.3.12,50-84	5341-44409-xx	12.5	11.1	3 * 68.5	16.4/15.5	84.4 * 190	1.3	2
PhMKP440.3.14,00-84	5341-44410-xx	14.1	12.5	3 * 77.0	18.5/17.5	84.4 * 190	1.3	2
PhMKP440.3.15,00-84	5341-44411-xx	15	13.3	3 * 82.2	19.7/18.6	84.4 * 190	1.3	2
PhMKP440.3.16,90-84	5341-44412-xx	16.9	15.0	3 * 92.6	22.2/20.9	84.4 * 190	1.3	2
PhMKP440.3.18,80-84	5341-44413-xx	18.8	16.7	3 * 103.0	24.7/23.3	84.4 * 265	1.7	2
PhMKP440.3.20,00-84	5341-44414-xx	20	17.8	3 * 109.6	26.2/24.8	84.4 * 265	1.7	2
PhMKP440.3.22,50-84	5341-44415-xx	22.5	20.0	3 * 123.3	29.5/27.8	84.4 * 265	1.7	2
PhMKP440.3.25,00-84	5341-44416-xx	25	22.2	3 * 137.0	32.8/30.9	84.4 * 265	1.7	2
PhMKP440.3.28,10-84	5341-44417-xx	28.1	25.0	3 * 154.0	36.9/34.8	84.4 * 265	1.7	2
PhMKP440.3.30,00-84	5341-44418-xx	30	26.7	3 * 164.4	39.4/37.1	84.4 * 340	2.1	2

Tensiune nominala	525 V	50 Hz,	conexiune		UL/ULc			
Tip	Articol nr.	Iesire 525 V	KVAr 480 V	Capacitate μ F	Curent A 525/480V	Dimensiuni \varnothing * H (mm)	Greutate kg	Desen nr.
PhMKP525.3.10,00-84	5341-44419-xx	10	8.33	3 * 38.5	11.0/10.1	84.4 * 190	1.3	2
PhMKP525.3.12,50-84	5341-44420-xx	12.5	10.4	3 * 48.1	13.7/12.6	84.4 * 190	1.3	2
PhMKP525.3.13,80-84	5341-44421-xx	13.8	11.5	3 * 53.1	15.2/13.8	84.4 * 190	1.3	2
PhMKP525.3.15,00-84	5341-44422-xx	15	12.5	3 * 57.7	16.5/15.0	84.4 * 190	1.3	2
PhMKP525.3.20,00-84	5341-44423-xx	20	16.7	3 * 77.0	22.0/20.1	84.4 * 265	1.7	2
PhMKP525.3.25,00-84	5341-44424-xx	25	20.0	3 * 96.2	27.5/24.6	84.4 * 265	1.7	2

Nota

Alte tensiuni nominale, puteri si frecvente sunt posibile la cerere. Toate condensatoarele de tip PhMKP pot fi utilizate si in retele cu frecventa 60 Hz, puterea si curentul fiind in aceste cazuri cu 20% mai mari (o sarcina termica suplimentara si in consecinta o clasa de temperature mai mica trebuie avute in vedere in aceste cazuri)

CONDENSATOARE TRI FAZATE IN CARCASA CILINDRICA DE ALUMINIUM

IP00, ULEI

Tensiune nominala	660 V	50 Hz,	conexiune		triunghi	UL/ULc		
Tip	Articol nr.	Iesire 660 V	KVAr 690 V	Capacitate μ F	Curent A 660/690V	Dimensiuni \varnothing * H (mm)	Greutate kg	Desen nr.
PhMKP660.3.08,33-84	5341-44425-xx	8.33	9.1	3 * 20.3	7.3/7.6	84.4 * 190	1.4	2
PhMKP660.3.10,00-84	5341-44426-xx	10	10.9	3 * 24.4	8.7/9.1	84.4 * 190	1.9	2
PhMKP660.3.12,50-84	5341-44427-xx	12.5	13.7	3 * 30.4	10.9/11.5	84.4 * 265	1.9	2
PhMKP660.3.15,00-84	5341-44428-xx	15	16.4	3 * 36.5	13.1/13.7	84.4 * 265	2.0	2
PhMKP660.3.16,70-84	5341-44429-xx	16.7	18.3	3 * 40.7	14.6/15.3	84.4 * 265	2.0	2
PhMKP660.3.20,00-84	5341-44430-xx	20	21.9	3 * 48.7	17.5/18.3	84.4 * 340	2.4	2
PhMKP660.3.22,90-84	5341-44431-xx	22.9	25.0	3 * 55.8	20.0/20.9	84.4 * 340	2.4	2

Tensiune nominala	690 V	50 Hz,	conexiune		triunghi	UL/ULc		
Tip	Articol nr.	Iesire 660 V	KVAr 690 V	Capacitate μ F	Curent A 660/690V	Dimensiuni \varnothing * H (mm)	Greutate kg	Desen nr.
PhMKP690.3.12,50-84	5341-44432-xx	11.4	12.5	3 * 27.9	10.5/10.0	84.4 * 265	1.9	2
PhMKP690.3.15,00-84	5341-44433-xx	13.7	15	3 * 33.4	12.6/12.0	84.4 * 265	1.9	2
PhMKP690.3.20,00-84	5341-44434-xx	18.3	20	3 * 44.6	16.7/16.0	84.4 * 340	2.4	2
PhMKP690.3.22,90-84	5341-44435-xx	22.9	25	3 * 55.8	20.9/20.0	84.4 * 340	2.4	2

Nota

Alte tensiuni nominale, puteri si frecvente sunt possible la cerere. Toate condensatoarele de tip PhMKP pot fi utilizate si in retele cu frecventa 60 Hz, puterea si curentul fiind in aceste cazuri cu 20% mai mari (o sarcina termica suplimentara si in consecinta o clasa de temperature mai mica trebuie avute in vedere in aceste cazuri)

Capac terminal (IP20), disponibil pentru condensatoare tubulare diametrul 84.4 mm (presetupe pentru acestea nu exista)

TIP	Articol nr.	Diametru condensator in mm
CAP84-88-IN-LINE	5341-COV-84-88-IP20-7	84.4

Tip CAP84-88-IN-LINE

- Clasa de protective IP20
- Capacul protector previne atingerea accidental a terminalelor cu tensiune
- O ventilare corespunzatoare este asigurata prin utilizarea orificiilor aditionale din partea de sus
- Sase fante din capac, cate trei pe fiecare parte, asigura conectarea IN-LINE a 2 condensatoare

CAPAC TERMINAL IP20: CAP84-88-IN-LINE



CONECTAREA IN-LINE a 2 CONDENSATOARE B,IP20



CONDENSATOARE TRI FAZATE IN CARCASA CILINDRICA DE ALUMINIUM

IP20, ULEI

Tensiune nominala	230 V,	50 Hz,	conexiune	triunghi	UL/ULc		
Tip	Articol nr.	Iesire kVAr	Capacitate μ F	Curent A	Dimensiuni \varnothing * H (mm)	Greutate kg	Desen nr.
PhMKP230.3.02,50-A64	5341-48300-xx	2.5	3 * 50.1	6.3	64 * 190	0.8	2
PhMKP230.3.05,00-A64	5341-48301-xx	5	3 * 100.3	12.6	64 * 265	1.0	2

PhMKP230.3.10,00-A84	5341-48600-xx	10	3 * 200.6	25.1	84.4 * 265	1.7	3
PhMKP230.3.12,50-A84	5341-48601-xx	12.5	3 * 250.7	31.4	84.4 * 340	2.0	3
PhMKP230.3.15,00-A84	5341-48602-xx	15	3 * 300.9	37.7	84.4 * 340	2.1	3

PhMKP230.3.10,00-B116	5341-47003-xx	10	3 * 200.6	25.1	116 * 160	2.1	4
PhMKP230.3.12,50-B116	5341-47004-xx	12.5	3 * 250.7	31.4	116 * 190	2.5	4
PhMKP230.3.15,00-B116	5341-47005-xx	15	3 * 300.9	37.7	116 * 190	2.5	4
PhMKP230.3.16,70-B116	5341-47006-xx	16.7	3 * 335.0	41.9	116 * 230	3.1	4

Tensiune nominala	400 V	50 Hz,	conexiune		triunghi	UL/ULc		
Tip	Articol nr.	Iesire 400 V	KVAr 415 V	Capacitate μ F	Curent A 400/415V	Dimensiuni \varnothing * H (mm)	Greutate kg	Desen nr.
PhMKP400.3.02,50-A64	5341-48302-xx	2.5	2.7	3 * 16.6	3.6/3.7	64 * 190	0.8	1
PhMKP400.3.05,00-A64	5341-48303-xx	5	5.4	3 * 33.2	7.2/7.5	64 * 190	0.8	1
PhMKP400.3.06,67-A64	5341-48304-xx	6.67	7.2	3 * 44.2	9.6/10.0	64 * 190	0.8	1
PhMKP400.3.07,50-A64	5341-48305-xx	7.5	8.1	3 * 49.7	10.8/11.2	64 * 190	0.8	1
PhMKP400.3.08,33-A64	5341-48306-xx	8.33	9.0	3 * 55.2	12.0/12.5	64 * 190	0.8	1
PhMKP400.3.10,00-A64	5341-48307-xx	10	10.8	3 * 66.3	14.4/14.9	64 * 265	1.0	1
PhMKP400.3.12,50-A64	5341-48308-xx	12.5	13.5	3 * 82.9	18.0/18.7	64 * 265	1.0	1

PhMKP400.3.10,00-A84	5341-48603-xx	10	10.8	3 * 66.3	14.4/14.9	84.4 * 190	1.3	3
PhMKP400.3.12,50-A84	5341-48604-xx	12.5	13.5	3 * 82.9	18.0/18.7	84.4 * 190	1.3	3
PhMKP400.3.15,00-A84	5341-48605-xx	15	16.1	3 * 99.5	21.6/22.4	84.4 * 190	1.3	3
PhMKP400.3.16,70-A84	5341-48606-xx	16.7	18.0	3 * 110.7	24.1/25.0	84.4 * 265	1.7	3
PhMKP400.3.20,00-A84	5341-48607-xx	20	21.5	3 * 132.6	28.8/30.0	84.4 * 265	1.7	3
PhMKP400.3.25,00-A84	5341-48608-xx	25	26.9	3 * 165.8	36.1/37.4	84.4 * 265	1.7	3

PhMKP400.3.16,70-B116	5341-47010-xx	16.7	18.0	3 * 110.7	24.1/25.0	116 * 160	2.1	4
PhMKP400.3.20,00-B116	5341-47011-xx	20	21.5	3 * 132.6	28.8/30.0	116 * 160	2.1	4
PhMKP400.3.25,00-B116	5341-47012-xx	25	26.9	3 * 165.8	36.1/37.4	116 * 190	2.5	4
PhMKP400.3.30,00-B136	5341-47603-xx	30	32.3	3 * 198.9	43.3/44.9	136 * 190	2.6	4

Nota

Alte tensiuni nominale, puteri si frecvente sunt possible la cerere. Toate condensatoarele de tip PhMKP pot fi utilizate si in retele cu frecventa 60 Hz, puterea si curentul fiind in aceste cazuri cu 20% mai mari (o sarcina termica suplimentara si in consecinta o clasa de temperature mai mica trebuie avute in vedere in aceste cazuri)

CONDENSATOARE TRI FAZATE IN CARCASA CILINDRICA DE ALUMINIUM

IP20, ULEI

Tensiune nominala	440 V	50 Hz,	conexiune		triunghi	UL/ULc		
Tip	Articol nr.	Iesire 440 V	KVAr 415 V	Capacitate μ F	Curent A 440/415V	Dimensiuni \varnothing * H (mm)	Greutate kg	Desen nr.
PhMKP440.3.02,50-A64	5341-48322-xx	2.5	2.2	3 * 13.7	3.3/3.1	64 * 190	0.7	1
PhMKP440.3.05,00-A64	5341-48309-xx	5	4.4	3 * 27.4	6.6/6.1	64 * 190	0.8	1
PhMKP440.3.08,33-A64	5341-48310-xx	8.33	7.4	3 * 45.7	10.9/10.3	64 * 190	0.8	1
PhMKP440.3.10,00-A64	5341-48311-xx	10	8.9	3 * 54.8	13.1/12.4	64 * 265	1.0	1
PhMKP440.3.11,20-A64	5341-48312-xx	11.2	10.0	3 * 61.4	14.7/13.9	64 * 265	1.0	1
PhMKP440.3.12,50-A64	5341-48313-xx	12.5	11.1	3 * 68.5	16.4/15.4	64 * 265	1.0	1
PhMKP440.3.14,00-A64	5341-48314-xx	14	12.5	3 * 76.7	18.4/17.4	64 * 265	1.0	1

PhMKP440.3.12,50-A84	5341-48609-xx	12.5	11.1	3 * 68.5	16.4/15.5	84.4 * 190	1.3	3
PhMKP440.3.14,10-A84	5341-48610-xx	14.1	12.5	3 * 77.0	18.5/17.5	84.4 * 190	1.3	3
PhMKP440.3.15,00-A84	5341-48611-xx	15	13.3	3 * 82.2	19.7/18.6	84.4 * 190	1.3	3
PhMKP440.3.16,90-A84	5341-48612-xx	16.9	15.0	3 * 92.6	22.2/20.9	84.4 * 190	1.3	3
PhMKP440.3.18,80-A84	5341-48613-xx	18.8	16.67	3 * 103.0	24.7/23.3	84.4 * 265	1.7	3
PhMKP440.3.20,00-A84	5341-48614-xx	20	17.8	3 * 109.6	26.2/24.8	84.4 * 265	1.7	3
PhMKP440.3.22,50-A84	5341-48615-xx	22.5	20.0	3 * 123.3	29.5/27.8	84.4 * 265	1.7	3
PhMKP440.3.25,00-A84	5341-48616-xx	25	22.2	3 * 137.0	32.8/30.9	84.4 * 265	1.7	3
PhMKP440.3.28,10-A84	5341-48617-xx	28.1	25.0	3 * 154.0	36.9/34.8	84.4 * 265	1.7	3
PhMKP440.3.30,00-A84	5341-48618-xx	30	26.7	3 * 164.4	39.4/37.1	84.4 * 340	2.1	3

PhMKP440.3.14,10-B116	5341-47068-xx	14.1	12.5	3 * 77.0	18.5/17.5	116 * 160	1.5	4
PhMKP440.3.18,80-B116	5341-47015-xx	18.8	16.67	3 * 103.0	24.7/23.3	116 * 160	1.8	4
PhMKP440.3.20,00-B116	5341-47016-xx	20	17.8	3 * 109.6	26.2/24.8	116 * 160	1.8	4
PhMKP440.3.22,50-B116	5341-47917-xx	22.5	20.0	3 * 123.3	29.5/27.8	116 * 160	1.9	4
PhMKP440.3.25,00-B116	5341-47018-xx	25	22.2	3 * 137.0	32.8/30.9	116 * 190	2.0	4
PhMKP440.3.28,10-B116	5341-47020-xx	28.1	25.0	3 * 154.0	36.9/34.8	116 * 190	2.0	4
PhMKP440.3.30,00-B116	5341-47022-xx	30	26.7	3 * 164.4	39.4/37.1	116 * 190	2.2	4
PhMKP440.3.33,00-B136	5341-47602-xx	33	29.4	3 * 180.9	43.3/40.9	136 * 190	2.3	4

Nota

Alte tensiuni nominale, puteri si frecvente sunt possible la cerere. Toate condensatoarele de tip PhMKP pot fi utilizate si in retele cu frecventa 60 Hz, puterea si curentul fiind in aceste cazuri cu 20% mai mari (o sarcina termica suplimentara si in consecinta o clasa de temperature mai mica trebuie avute in vedere in aceste cazuri)

CONDENSATOARE TRI FAZATE IN CARCASA CILINDRICA DE ALUMINIUM

IP20, ULEI

Tensiune nominala	525 V	50 Hz,	conexiune		triunghi	UL/ULc		
Tip	Articol nr.	Iesire 525 V	KVAr 480 V	Capacitate μ F	Curent A 525/480V	Dimensiuni \varnothing * H (mm)	Greutate kg	Desen nr.
PhMKP525.3.03,00-A64	5341-48315-xx	3	2.5	3 * 11.5	3.3/3.0	64 * 190	0.8	1
PhMKP525.3.05,00-A64	5341-48316-xx	5	4.2	3 * 19.2	5.5/5.0	64 * 190	0.8	1
PhMKP525.3.08,33-A64	5341-48317-xx	8.33	7.0	3 * 32.1	9.2/8.4	64 * 190	0.8	1
PhMKP525.3.10,00-A64	5341-48318-xx	10	8.33	3 * 38.5	11.0/10.1	64 * 265	1.0	1
PhMKP525.3.10,00-A84	5341-48619-xx	10	8.33	3 * 38.5	11.0/10.1	84.4 * 190	1.3	3
PhMKP525.3.12,50-A84	5341-48620-xx	12.5	10.4	3 * 48.1	13.7/12.6	84.4 * 190	1.3	3
PhMKP525.3.13,80-A84	5341-48621-xx	13.8	11.5	3 * 53.1	15.2/13.8	84.4 * 190	1.3	3
PhMKP525.3.15,00-A84	5341-48622-xx	15	12.5	3 * 57.7	16.5/15.0	84.4 * 190	1.3	3
PhMKP525.3.20,00-A84	5341-48623-xx	20	16.7	3 * 77.0	22.0/20.1	84.4 * 265	1.7	3
PhMKP525.3.25,00-A84	5341-48624-xx	25	20.9	3 * 96.2	27.5/24.6	84.4 * 265	1.7	3
PhMKP525.3.20,00-B116	5341-47024-xx	20	16.7	3 * 77.0	22.0/20.1	116 * 160	1.8	4
PhMKP525.3.25,00-B116	5341-47025-xx	25	20.9	3 * 96.2	27.5/25.1	116 * 190	2.5	4
PhMKP525.3.30,00-B116	5341-47069-xx	30	25.1	3 * 115.4	33.0/30.2	116 * 230	2.6	4
PhMKP525.3.30,00-B136	5341-47603-xx	30	25.1	3 * 115.4	33.0/30.2	136 * 190	2.6	5
PhMKP525.3.35,90-B116	5341-47070-xx	35.9	30.0	3 * 138.2	39.5/36.1	116 * 265	2.8	4
PhMKP525.3.35,90-B136	5341-47600-xx	35.9	30.0	3 * 138.2	39.5/36.1	136 * 230	3.5	5
PhMKP525.3.37,10-B116	5341-47065-xx	37.1	31.0	3 * 142.8	40.8/37.3	116 * 265	2.8	4
PhMKP525.3.37,10-B136	5341-47604-xx	37.1	31.0	3 * 142.8	40.8/37.3	136 * 230	3.5	5

Nota

Alte tensiuni nominale, puteri si frecvente sunt possible la cerere. Toate condensatoarele de tip PhMKP pot fi utilizate si in retele cu frecventa 60 Hz, puterea si curentul fiind in aceste cazuri cu 20% mai mari (o sarcina termica suplimentara si in consecinta o clasa de temperature mai mica trebuie avute in vedere in aceste cazuri)

CONDENSATOARE TRI FAZATE IN CARCASA CILINDRICA DE ALUMINIUM

IP20, ULEI

Tensiune nominala	660 V, 50 Hz,	64/ 84	conexiune	triunghi	116/136	stea	UL/ULc	
Tip	Articol nr.	Iesire 660 V	KVAr 690 V	Capacitate μ F	Curent A 660/690V	Dimensiuni \varnothing * H (mm)	Greutate kg	Desen nr.
PhMKP660.3.08,33-A64	5341-48319-xx	5	5.5	3 * 12.2	4.4/4.6	64 * 190	0.8	1
PhMKP660.3.08,33-A64	5341-48320-xx	8.33	9.1	3 * 20.3	7.3/7.6	64 * 265	1.0	1

PhMKP660.3.08,33-A84	5341-48625-xx	8.33	9.1	3 * 20.3	7.3/7.6	84.4 * 190	1.3	3
PhMKP660.3.10,00-A84	5341-48626-xx	10	10.9	3 * 24.4	8.7/9.1	84.4 * 190	1.3	3
PhMKP660.3.12,50-A84	5341-48627-xx	12.5	13.7	3 * 30.4	10.9/11.4	84.4 * 265	1.7	3
PhMKP660.3.15,00-A84	5341-48628-xx	15	16.4	3 * 36.5	13.1/13.7	84.4 * 265	1.7	3
PhMKP660.3.16,70-A84	5341-48629-xx	16.7	18.3	3 * 40.7	14.6/15.3	84.4 * 265	1.7	3
PhMKP660.3.20,00-A84	5341-48630-xx	20	21.9	3 * 48.7	17.5/18.3	84.4 * 340	2.1	3
PhMKP660.3.22,90-A84	5341-48631-xx	22.9	25.0	3 * 55.8	20.0/20.9	84.4 * 340	2.1	3

PhMKP660.3.12,50-B116	5341-47057-xx	12.5	13.7	3 * 91.4	10.9/11.4	116 * 160	2.1	4
PhMKP660.3.15,00-B116	5341-47058-xx	15	16.4	3 * 109.6	13.1/13.7	116 * 160	2.1	4
PhMKP660.3.16,70-B116	5341-47059-xx	16.7	18.3	3 * 122.1	14.6/15.3	116 * 160	2.1	4
PhMKP660.3.20,00-B116	5341-47061-xx	20	21.9	3 * 146.2	17.5/18.3	116 * 190	2.3	4
PhMKP660.3.22,90-B116	5341-47062-xx	22.9	25.0	3 * 167.3	20.0/20.9	116 * 190	2.5	4
PhMKP660.3.25,00-B136	5341-47605-xx	25	27.3	3 * 182.6	21.9/22.9	136 * 190	2.6	5
PhMKP660.3.30,00-B136	5341-47606-xx	30	32.8	3 * 219.3	26.2/27.4	136 * 230	3.0	5

Tensiune nominala	690 V	50 Hz,	64/ 84	conexiune	triunghi	116/136	stea	UL/U Lc
Tip	Articol nr.	Iesire 660 V	KVAr 690 V	Capacitate μ F	Curent A 660/690V	Dimensiuni \varnothing * H (mm)	Greutate kg	Desen nr.
PhMKP690.3.10,00-A64	5341-48321-xx	10	9.1	3 * 22.3	8.4/8.0	64 * 265	1.1	1

PhMKP690.3.12,50-A84	5341-48632-xx	12.5	11.4	3 * 27.9	10.5/10.0	84.4 * 265	1.9	3
PhMKP690.3.15,00-A84	5341-48633-xx	15	13.7	3 * 33.4	12.5/12.0	84.4 * 265	1.9	3
PhMKP690.3.20,00-A84	5341-48634-xx	20	18.3	3 * 44.6	16.7/16.0	84.4 * 340	2.4	3
PhMKP690.3.25,00-A84	5341-48635-xx	25	22.9	3 * 55.7	20.9/20.0	84.4 * 340	2.4	3

PhMKP690.3.12,50-B116	5341-47071-xx	12.5	11.4	3 * 83.6	10.5/10.0	116 * 160	2.0	4
PhMKP690.3.15,00-B116	5341-47072-xx	15	13.7	3 * 100.3	12.5/12.0	116 * 160	2.1	4
PhMKP690.3.20,00-B116	5341-47073-xx	20	18.3	3 * 133.7	16.7/16.0	116 * 190	2.2	4
PhMKP690.3.25,00-B116	5341-47074-xx	25	22.9	3 * 167.3	20.9/20.0	116 * 190	2.5	4

Nota

Alte tensiuni nominale, puteri si frecvente sunt posibile la cerere. Toate condensatoarele de tip PhMKP pot fi utilizate si in retele cu frecventa 60 Hz, puterea si curentul fiind in aceste cazuri cu 20% mai mari (o sarcina termica suplimentara si in consecinta o clasa de temperature mai mica trebuie avute in vedere in aceste cazuri)

CONDENSATOARE TRI FAZATE IN CARCASA CILINDRICA DE ALUMINIUM

IP00, USCAT

Tensiune nominala	230 V,	50 Hz,	conexiune		UL/ULc		
Tip	Articol nr.	Iesire kVAr	Capacitate μ F	Curent A	Dimensiuni $\varnothing * H$ (mm)	Greutate kg	Desen nr.
PhMKPg230.3.10,00-84	5343-44001-xx	10	3 * 200.6	25.1	84.4 * 265	1.4	2
PhMKPg230.3.12,50-84	5343-44002-xx	12.5	3 * 250.7	31.4	84.4 * 340	1.5	2
PhMKPg230.3.15,00-84	5343-44003-xx	15	3 * 300.9	37.7	84.4 * 340	1.7	2

Tensiune nominala	400 V	50 Hz,	conexiune		UL/ULc			
Tip	Articol nr.	Iesire 400 V	KVAr 415 V	Capacitate μ F	Curent A 400/415V	Dimensiuni $\varnothing * H$ (mm)	Greutate kg	Desen nr.
PhMKPg400.3.10,00-84	5343-44004-xx	10	10.8	3 * 66.3	14.4/15.0	84.4 * 190	0.9	2
PhMKPg400.3.12,50-84	5343-44005-xx	12.5	13.5	3 * 82.9	18.0/18.7	84.4 * 190	1.0	2
PhMKPg400.3.15,00-84	5343-44006-xx	15	16.1	3 * 99.5	21.6/22.4	84.4 * 190	1.1	2
PhMKPg400.3.16,70-84	5343-44007-xx	16.7	18.0	3 * 110.7	24.1/25.0	84.4 * 265	1.4	2
PhMKPg400.3.20,00-84	5343-44008-xx	20	21.5	3 * 132.6	28.8/30.0	84.4 * 265	1.4	2
PhMKPg400.3.25,00-84	5343-44009-xx	25	26.9	3 * 165.8	36.1/37.4	84.4 * 265	1.5	2

Tensiune nominala	440 V	50 Hz,	conexiune		UL/ULc			
Tip	Articol nr.	Iesire 440 V	KVAr 415 V	Capacitate μ F	Curent A 440/415V	Dimensiuni $\varnothing * H$ (mm)	Greutate kg	Desen nr.
PhMKPg440.3.12,50-84	5343-44010-xx	12.5	11.1	3 * 68.5	16.4/15.5	84.4 * 190	1.0	2
PhMKPg440.3.14,00-84	5343-44011-xx	14.1	12.5	3 * 77.0	18.5/17.5	84.4 * 190	1.1	2
PhMKPg440.3.15,00-84	5343-44012-xx	15	13.3	3 * 82.2	19.7/18.6	84.4 * 190	1.1	2
PhMKPg440.3.16,90-84	5343-44013-xx	16.9	15.0	3 * 92.6	22.2/20.9	84.4 * 190	1.2	2
PhMKPg440.3.18,80-84	5343-44014-xx	18.8	16.7	3 * 103.0	24.7/23.3	84.4 * 265	1.3	2
PhMKPg440.3.20,00-84	5343-44015-xx	20	17.8	3 * 109.6	26.2/24.8	84.4 * 265	1.4	2
PhMKPg440.3.22,50-84	5343-44016-xx	22.5	20.0	3 * 123.3	29.5/27.8	84.4 * 265	1.4	2
PhMKPg440.3.25,00-84	5343-44017-xx	25	22.2	3 * 137.0	32.8/30.9	84.4 * 265	1.5	2
PhMKPg440.3.28,10-84	5343-44018-xx	28.1	25.0	3 * 154.0	36.9/34.8	84.4 * 265	1.5	2
PhMKPg440.3.30,00-84	5343-44019-xx	30	26.7	3 * 164.4	39.4/37.1	84.4 * 340	1.8	2

Tensiune nominala	525 V	50 Hz,	conexiune		UL/ULc			
Tip	Articol nr.	Iesire 525 V	KVAr 480 V	Capacitate μ F	Curent A 525/480V	Dimensiuni $\varnothing * H$ (mm)	Greutate kg	Desen nr.
PhMKPg525.3.10,00-84	5343-44020-xx	10	8.33	3 * 38.5	11.0/10.1	84.4 * 190	0.8	2
PhMKPg525.3.12,50-84	5343-44021-xx	12.5	10.4	3 * 48.1	13.7/12.6	84.4 * 190	1.0	2
PhMKPg525.3.13,80-84	5343-44022-xx	13.8	11.5	3 * 53.1	15.2/13.8	84.4 * 190	1.0	2
PhMKPg525.3.15,00-84	5343-44023-xx	15	12.5	3 * 57.7	16.5/15.0	84.4 * 190	1.1	2
PhMKPg525.3.20,00-84	5343-44024-xx	20	16.7	3 * 77.0	22.0/20.1	84.4 * 265	1.3	2
PhMKPg525.3.25,00-84	5343-44025-xx	25	20.0	3 * 96.2	27.5/24.6	84.4 * 265	1.5	2

Nota

Alte tensiuni nominale, puteri si frecvente sunt posibile la cerere. Toate condensatoarele de tip PhMKP pot fi utilizate si in retele cu frecventa 60 Hz, puterea si curentul fiind in aceste cazuri cu 20% mai mari (o sarcina termica suplimentara si in consecinta o clasa de temperature mai mica trebuie avute in vedere in aceste cazuri)

CONDENSATOARE TRI FAZATE IN CARCASA CILINDRICA DE ALUMINIUM

IP00, USCAT

Tensiune nominala	660 V	50 Hz,	conexiune		triunghi	UL/ULc		
Tip	Articol nr.	Iesire 660 V	KVAr 690 V	Capacitate μ F	Curent A 660/690V	Dimensiuni \varnothing * H (mm)	Greutate kg	Desen nr.
PhMKPg660.3.08,33-84	5343-44026-xx	8.33	9.1	3 * 20.3	7.3/7.6	84.4 * 190	0.9	2
PhMKPg660.3.10,00-84	5343-44027-xx	10	10.9	3 * 24.4	8.7/9.1	84.4 * 190	1.1	2
PhMKPg660.3.12,50-84	5343-44028-xx	12.5	13.7	3 * 30.4	10.9/11.5	84.4 * 265	1.2	2
PhMKPg660.3.15,00-84	5343-44029-xx	15	16.4	3 * 36.5	13.1/13.7	84.4 * 265	1.4	2
PhMKPg660.3.16,70-84	5343-44030-xx	16.7	18.3	3 * 40.7	14.6/15.3	84.4 * 265	1.5	2
PhMKPg660.3.20,00-84	5343-44031-xx	20	21.9	3 * 48.7	17.5/18.3	84.4 * 340	1.7	2
PhMKPg660.3.22,90-84	5343-44032-xx	22.9	25.0	3 * 55.8	20.0/20.9	84.4 * 340	1.7	2

Tensiune nominala	690 V	50 Hz,	conexiune		triunghi	UL/ULc		
Tip	Articol nr.	Iesire 660 V	KVAr 690 V	Capacitate μ F	Curent A 660/690V	Dimensiuni \varnothing * H (mm)	Greutate kg	Desen nr.
PhMKPg690.3.12,50-84	5343-44033-xx	11.4	12.5	3 * 27.9	10.5/10.0	84.4 * 265	1.1	2
PhMKPg690.3.15,00-84	5343-44034-xx	13.7	15	3 * 33.4	12.6/12.0	84.4 * 265	1.3	2
PhMKPg690.3.20,00-84	5343-44035-xx	18.3	20	3 * 44.6	16.7/16.0	84.4 * 340	1.6	2
PhMKPg690.3.22,90-84	5343-44036-xx	22.9	25	3 * 55.8	20.9/20.0	84.4 * 340	1.9	2

Nota

Alte tensiuni nominale, puteri si frecvente sunt possible la cerere. Toate condensatoarele de tip PhMKP pot fi utilizate si in retele cu frecventa 60 Hz, puterea si curentul fiind in aceste cazuri cu 20% mai mari (o sarcina termica suplimentara si in consecinta o clasa de temperature mai mica trebuie avute in vedere in aceste cazuri)

Capac terminal (IP20), disponibil pentru condensatoare tubulare diametrul 84.4 mm (presetupe pentru acestea nu exista)

TIP	Articol nr.	Diametru condensator in mm
CAP84-88-IN-LINE	5341-COV-84-88-IP20-7	84.4

Tip CAP84-88-IN-LINE

- Clasa de protective IP20
- Capacul protector previne atingerea accidental a terminalelor cu tensiune
- O ventilare corespunzatoare este asigurata prin utilizarea orificiilor aditionale din partea de sus
- Sase fante din capac, cate trei pe fiecare parte, asigura conectarea IN-LINE a 2 condensatoare

CAPAC TERMINAL IP20: CAP84-88-IN-LINE



CONECTAREA IN-LINE a 2 CONDENSATOARE B,IP20



CONDENSATOARE TRI FAZATE IN CARCASA CILINDRICA DE ALUMINIUM

IP20, USCAT

Tensiune nominala	230 V,	50 Hz,	conexiune		UL/ULc		
Tip	Articol nr.	Iesire kVAr	Capacitate µF	Curent A	Dimensiuni Ø * H (mm)	Greutate kg	Desen nr.
PhMKPg230.3.02,50-A64	5343-48300-xx	2.5	3 * 50.1	6.3	64 * 190	0.8	2
PhMKPg230.3.05,00-A64	5343-48301-xx	5	3 * 100.3	12.6	64 * 265	1.0	2

PhMKPg230.3.10,00-A84	5343-48600-xx	10	3 * 200.6	25.1	84.4 * 265	1.7	3
PhMKPg230.3.12,50-A84	5343-48601-xx	12.5	3 * 250.7	31.4	84.4 * 340	2.0	3
PhMKPg230.3.15,00-A84	5343-48602-xx	15	3 * 300.9	37.7	84.4 * 340	2.1	3

PhMKPg230.3.10,00-B116	5343-47003-xx	10	3 * 200.6	25.1	116 * 160	2.1	4
PhMKPg230.3.12,50-B116	5343-47004-xx	12.5	3 * 250.7	31.4	116 * 190	2.5	4
PhMKPg230.3.15,00-B116	5343-47005-xx	15	3 * 300.9	37.7	116 * 190	2.5	4
PhMKPg230.3.16,70-B116	5343-47006-xx	16.7	3 * 335.0	41.9	116 * 230	3.1	4

Tensiune nominala	400 V	50 Hz,	conexiune		UL/ULc			
Tip	Articol nr.	Iesire 400 V	KVAr 415 V	Capacitate µF	Curent A 400/415V	Dimensiuni Ø * H (mm)	Greutate kg	Desen nr.
PhMKPg400.3.02,50-A64	5343-48202-xx	2.5	2.7	3 * 16.6	3.6/3.7	64 * 190	0.6	1
PhMKPg400.3.05,00-A64	5343-48203-xx	5	5.4	3 * 33.2	7.2/7.5	64 * 190	0.6	1
PhMKPg400.3.06,67-A64	5343-48204-xx	6.67	7.2	3 * 44.2	9.6/10.0	64 * 190	0.6	1
PhMKPg400.3.07,50-A64	5343-48205-xx	7.5	8.1	3 * 49.7	10.8/11.2	64 * 190	0.6	1
PhMKPg400.3.08,33-A64	5343-48206-xx	8.33	9.0	3 * 55.2	12.0/12.5	64 * 190	0.7	1
PhMKPg400.3.10,00-A64	5343-48207-xx	10	10.8	3 * 66.3	14.4/14.9	64 * 265	0.7	1
PhMKPg400.3.12,50-A64	5343-48208-xx	12.5	13.5	3 * 82.9	18.0/18.7	64 * 265	0.8	1

PhMKPg400.3.10,00-A84	5343-48503-xx	10	10.8	3 * 66.3	14.4/14.9	84.4 * 190	1.0	3
PhMKPg400.3.12,50-A84	5343-48504-xx	12.5	13.5	3 * 82.9	18.0/18.7	84.4 * 190	1.4	3
PhMKPg400.3.15,00-A84	5343-48505-xx	15	16.1	3 * 99.5	21.6/22.4	84.4 * 190	1.4	3
PhMKPg400.3.16,70-A84	5343-48506-xx	16.7	18.0	3 * 110.7	24.1/25.0	84.4 * 265	1.4	3
PhMKPg400.3.20,00-A84	5343-48507-xx	20	21.5	3 * 132.6	28.8/30.0	84.4 * 265	1.4	3
PhMKPg400.3.25,00-A84	5343-48508-xx	25	26.9	3 * 165.8	36.1/37.4	84.4 * 265	1.5	3

PhMKPg400.3.16,70-B116	5343-47212-xx	16.7	18.0	3 * 110.7	24.1/25.0	116 * 160	1.5	4
PhMKPg400.3.20,00-B116	5343-47213-xx	20	21.5	3 * 132.6	28.8/30.0	116 * 160	1.6	4
PhMKPg400.3.25,00-B116	5343-47215-xx	25	26.9	3 * 165.8	36.1/37.4	116 * 190	1.9	4
PhMKPg400.3.30,00-B136	5343-47508-xx	30	32.3	3 * 198.9	43.3/44.9	136 * 190	2.0	4

Nota

Alte tensiuni nominale, puteri si frecvente sunt possible la cerere. Toate condensatoarele de tip PhMKP pot fi utilizate si in retele cu frecventa 60 Hz, puterea si curentul fiind in aceste cazuri cu 20% mai mari (o sarcina termica suplimentara si in consecinta o clasa de temperature mai mica trebuie avute in vedere in aceste cazuri)

CONDENSATOARE TRI FAZATE IN CARCASA CILINDRICA DE ALUMINIUM

IP20, USCAT

Tensiune nominala	440 V	50 Hz,	conexiune		triunghi	UL/ULc		
Tip	Articol nr.	Iesire 440 V	KVAr 415 V	Capacitate μ F	Curent A 440/415V	Dimensiuni \varnothing * H (mm)	Greutate kg	Desen nr.
PhMKPg440.3.02,50-A64	5341-48222-xx	2.5	2.2	3 * 13.7	3.3/3.1	64 * 190	0.6	1
PhMKPg440.3.05,00-A64	5343-48209-xx	5	4.4	3 * 27.4	6.6/6.1	64 * 190	0.6	1
PhMKPg440.3.08,33-A64	5343-48210-xx	8.33	7.4	3 * 45.7	10.9/10.3	64 * 190	0.6	1
PhMKPg440.3.10,00-A64	5343-48211-xx	10	8.9	3 * 54.8	13.1/12.4	64 * 265	0.8	1
PhMKPg440.3.11,20-A64	5343-48212-xx	11.2	10.0	3 * 61.4	14.7/13.9	64 * 265	0.8	1
PhMKPg440.3.12,50-A64	5343-48213-xx	12.5	11.1	3 * 68.5	16.4/15.4	64 * 265	0.8	1
PhMKPg440.3.14,00-A64	5343-48214-xx	14	12.5	3 * 76.7	18.4/17.4	64 * 265	1.0	1

PhMKPg440.3.12,50-A84	5343-48509-xx	12.5	11.1	3 * 68.5	16.4/15.5	84.4 * 190	1.0	3
PhMKPg440.3.14,10-A84	5343-48510-xx	14.1	12.5	3 * 77.0	18.5/17.5	84.4 * 190	1.1	3
PhMKPg440.3.15,00-A84	5343-48511-xx	15	13.3	3 * 82.2	19.7/18.6	84.4 * 190	1.1	3
PhMKPg440.3.16,90-A84	5343-48512-xx	16.9	15.0	3 * 92.6	22.2/20.9	84.4 * 190	1.2	3
PhMKPg440.3.18,80-A84	5343-48513-xx	18.8	16.67	3 * 103.0	24.7/23.3	84.4 * 265	1.3	3
PhMKPg440.3.20,00-A84	5343-48514-xx	20	17.8	3 * 109.6	26.2/24.8	84.4 * 265	1.4	3
PhMKPg440.3.22,50-A84	5343-48515-xx	22.5	20.0	3 * 123.3	29.5/27.8	84.4 * 265	1.4	3
PhMKPg440.3.25,00-A84	5343-48516-xx	25	22.2	3 * 137.0	32.8/30.9	84.4 * 265	1.5	3
PhMKPg440.3.28,10-A84	5343-48517-xx	28.1	25.0	3 * 154.0	36.9/34.8	84.4 * 265	1.5	3
PhMKPg440.3.30,00-A84	5343-48518-xx	30	26.7	3 * 164.4	39.4/37.1	84.4 * 340	1.8	3

PhMKPg440.3.14,10-B116	5343-47269-xx	14.1	12.5	3 * 77.0	18.5/17.5	116 * 160	1.0	4
PhMKPg440.3.18,80-B116	5343-47217-xx	18.8	16.67	3 * 103.0	24.7/23.3	116 * 160	1.5	4
PhMKPg440.3.20,00-B116	5343-47218-xx	20	17.8	3 * 109.6	26.2/24.8	116 * 160	1.6	4
PhMKPg440.3.22,50-B116	5343-47219-xx	22.5	20.0	3 * 123.3	29.5/27.8	116 * 160	1.6	4
PhMKPg440.3.25,00-B116	5343-47220-xx	25	22.2	3 * 137.0	32.8/30.9	116 * 190	1.7	4
PhMKPg440.3.28,10-B116	5343-47205-xx	28.1	25.0	3 * 154.0	36.9/34.8	116 * 190	1.6	4
PhMKPg440.3.30,00-B136	5343-47501-xx	30	26.7	3 * 164.4	39.4/37.1	136 * 190	1.9	4
PhMKPg440.3.33,00-B136	5343-47502-xx	33	29.4	3 * 180.9	43.3/40.9	136 * 190	2.0	4

Nota

Alte tensiuni nominale, puteri si frecvente sunt possible la cerere. Toate condensatoarele de tip PhMKP pot fi utilizate si in retele cu frecventa 60 Hz, puterea si curentul fiind in aceste cazuri cu 20% mai mari (o sarcina termica suplimentara si in consecinta o clasa de temperature mai mica trebuie avute in vedere in aceste cazuri)

CONDENSATOARE TRI FAZATE IN CARCASA CILINDRICA DE ALUMINIUM

IP20, ULEI

Tensiune nominala	525 V	50 Hz,	conexiune		triunghi	UL/ULc		
Tip	Articol nr.	Iesire 525 V	KVAr 480 V	Capacitate μ F	Curent A 525/480V	Dimensiuni \varnothing * H (mm)	Greutate kg	Desen nr.
PhMKPg525.3.03,00-A64	5343-48215-xx	3	2.5	3 * 11.5	3.3/3.0	64 * 190	0.6	1
PhMKPg525.3.05,00-A64	5343-48216-xx	5	4.2	3 * 19.2	5.5/5.0	64 * 190	0.6	1
PhMKPg525.3.08,33-A64	5343-48217-xx	8.33	7.0	3 * 32.1	9.2/8.4	64 * 190	0.6	1
PhMKPg525.3.10,00-A64	5343-48218-xx	10	8.33	3 * 38.5	11.0/10.1	64 * 265	0.7	1
PhMKPg525.3.10,00-A84	5343-48519-xx	10	8.33	3 * 38.5	11.0/10.1	84.4 * 190	0.8	3
PhMKPg525.3.12,50-A84	5343-48520-xx	12.5	10.4	3 * 48.1	13.7/12.6	84.4 * 190	1.0	3
PhMKPg525.3.13,80-A84	5343-48521-xx	13.8	11.5	3 * 53.1	15.2/13.8	84.4 * 190	1.0	3
PhMKPg525.3.15,00-A84	5343-48522-xx	15	12.5	3 * 57.7	16.5/15.0	84.4 * 190	1.2	3
PhMKPg525.3.20,00-A84	5343-48523-xx	20	16.7	3 * 77.0	22.0/20.1	84.4 * 265	1.3	3
PhMKPg525.3.25,00-A84	5343-48524-xx	25	20.9	3 * 96.2	27.5/24.6	84.4 * 265	1.5	3
PhMKPg525.3.20,00-B116	5343-47266-xx	20	16.7	3 * 77.0	22.0/20.1	116 * 160	1.4	4
PhMKPg525.3.25,00-B116	5343-47227-xx	25	20.9	3 * 96.2	27.5/25.1	116 * 190	1.5	4
PhMKPg525.3.30,00-B116	5343-47267-xx	30	25.1	3 * 115.4	33.0/30.2	116 * 230	2.0	4
PhMKPg525.3.30,00-B136	5343-47503-xx	30	25.1	3 * 115.4	33.0/30.2	136 * 190	1.8	5
PhMKPg525.3.35,90-B116	5343-47271-xx	35.9	30.0	3 * 138.2	39.5/36.1	116 * 265	2.1	4
PhMKPg525.3.35,90-B136	5343-47504-xx	35.9	30.0	3 * 138.2	39.5/36.1	136 * 230	2.1	5
PhMKPg525.3.37,10-B116	5343-47272-xx	37.1	31.0	3 * 142.8	40.8/37.3	116 * 265	2.2	4
PhMKPg525.3.37,10-B136	5343-47505-xx	37.1	31.0	3 * 142.8	40.8/37.3	136 * 230	2.2	5

Nota

Alte tensiuni nominale, puteri si frecvente sunt possible la cerere. Toate condensatoarele de tip PhMKP pot fi utilizate si in retele cu frecventa 60 Hz, puterea si curentul fiind in aceste cazuri cu 20% mai mari (o sarcina termica suplimentara si in consecinta o clasa de temperature mai mica trebuie avute in vedere in aceste cazuri)

CONDENSATOARE TRI FAZATE IN CARCASA CILINDRICA DE ALUMINIUM

IP20, USCAT

Tensiune nominala	660 V	50 Hz,	64/ 84	conexiune	triunghi	116/136	stea	UL/U Lc
Tip	Articol nr.	Iesire 660 V	KVAr 690 V	Capacitate μ F	Curent A 660/690V	Dimensiuni \varnothing * H (mm)	Greutate kg	Desen nr.
PhMKPg660.3.08,33-A64	5343-48219-xx	5	5.5	3 * 12.2	4.4/4.6	64 * 190	0.6	1
PhMKPg660.3.08,33-A64	5343-48220-xx	8.33	9.1	3 * 20.3	7.3/7.6	64 * 265	0.8	1

PhMKPg660.3.08,33-A84	5343-48525-xx	8.33	9.1	3 * 20.3	7.3/7.6	84.4 * 190	0.9	3
PhMKPg660.3.10,00-A84	5343-48526-xx	10	10.9	3 * 24.4	8.7/9.1	84.4 * 190	1.1	3
PhMKPg660.3.12,50-A84	5343-48527-xx	12.5	13.7	3 * 30.4	10.9/11.4	84.4 * 265	1.2	3
PhMKPg660.3.15,00-A84	5343-48528-xx	15	16.4	3 * 36.5	13.1/13.7	84.4 * 265	1.4	3
PhMKPg660.3.16,70-A84	5343-48529-xx	16.7	18.3	3 * 40.7	14.6/15.3	84.4 * 265	1.5	3
PhMKPg660.3.20,00-A84	5343-48530-xx	20	21.9	3 * 48.7	17.5/18.3	84.4 * 340	1.7	3
PhMKPg660.3.22,90-A84	5343-48531-xx	22.9	25.0	3 * 55.8	20.0/20.9	84.4 * 340	1.9	3

PhMKPg660.3.12,50-B116	5343-47255-xx	12.5	13.7	3 * 91.4	10.9/11.4	116 * 160	1.6	4
PhMKPg660.3.15,00-B116	5343-47256-xx	15	16.4	3 * 109.6	13.1/13.7	116 * 160	1.6	4
PhMKPg660.3.16,70-B116	5343-47257-xx	16.7	18.3	3 * 122.1	14.6/15.3	116 * 160	1.7	4
PhMKPg660.3.20,00-B116	5343-47259-xx	20	21.9	3 * 146.2	17.5/18.3	116 * 190	1.8	4
PhMKPg660.3.22,90-B116	5343-47273-xx	22.9	25.0	3 * 167.3	20.0/20.9	116 * 190	1.7	4
PhMKPg660.3.25,00-B136	5343-47506-xx	25	27.3	3 * 182.6	21.9/22.9	136 * 190	1.6	5
PhMKPg660.3.30,00-B136	5343-47507-xx	30	32.8	3 * 219.3	26.2/27.4	136 * 230	2.2	5

Tensiune nominala	690 V	50 Hz,	64/ 84	conexiune	triunghi	116/136	stea	UL/U Lc
Tip	Articol nr.	Iesire 660 V	KVAr 690 V	Capacitate μ F	Curent A 660/690V	Dimensiuni \varnothing * H (mm)	Greutate kg	Desen nr.
PhMKPg690.3.10,00-A64	5343-48221-xx	10	9.1	3 * 22.3	8.4/8.0	64 * 265	0.9	1

PhMKPg690.3.12,50-A84	5343-48532-xx	12.5	11.4	3 * 27.9	10.5/10.0	84.4 * 265	1.1	3
PhMKPg690.3.15,00-A84	5343-48533-xx	15	13.7	3 * 33.4	12.5/12.0	84.4 * 265	1.3	3
PhMKPg690.3.20,00-A84	5343-48534-xx	20	18.3	3 * 44.6	16.7/16.0	84.4 * 340	1.6	3
PhMKPg690.3.25,00-A84	5343-48535-xx	25	22.9	3 * 55.7	20.9/20.0	84.4 * 340	1.9	3

PhMKPg690.3.12,50-B116	5343-47274-xx	12.5	11.4	3 * 83.6	10.5/10.0	116 * 160	1.2	4
PhMKPg690.3.15,00-B116	5343-47275-xx	15	13.7	3 * 100.3	12.5/12.0	116 * 160	1.3	4
PhMKPg690.3.20,00-B116	5343-47276-xx	20	18.3	3 * 133.7	16.7/16.0	116 * 190	1.5	4
PhMKPg690.3.22,90-B116	5343-47277-xx	25	22.9	3 * 167.3	20.9/20.0	116 * 190	1.6	4

Nota

Alte tensiuni nominale, puteri si frecvente sunt possible la cerere. Toate condensatoarele de tip PhMKP pot fi utilizate si in retele cu frecventa 60 Hz, puterea si curentul fiind in aceste cazuri cu 20% mai mari (o sarcina termica suplimentara si in consecinta o clasa de temperature mai mica trebuie avute in vedere in aceste cazuri)

CONDENSATOARE MONO FAZATE IN CARCASA CILINDRICA DE ALUMINIUM

ULEI

Tensiune nominala	230 V,	50 Hz,	UL/ULc		UL/ULc				
Tip	Articol nr.	Iesire kVAr	Capacitate μ F	Curent A	Dimensiuni $\varnothing * H$ (mm)	Greutate kg	Desen nr.	Clasa prot.	
PhMKP230.1.02,50-A64	5341-48322-xx	2.5	150.0	10.9	64 * 140	0.6	1	IP20	
PhMKP230.1.03,33-A64	5341-48323-xx	3.33	200.4	14.5	64 * 190	0.7	1	IP20	
PhMKP230.1.04,17-A64	5341-48324-xx	4.17	251.0	18.1	64 * 190	0.8	1	IP20	

PhMKP230.1.05,00-A84	5341-48636-xx	5	300.0	21.7	84.4 * 140	0.9	3	IP20
----------------------	---------------	---	-------	------	------------	-----	---	------

PhMKP230.1.05,00-84	5341-44436-xx	5	300.0	21.7	84.4 * 140	0.9	2	IP00
---------------------	---------------	---	-------	------	------------	-----	---	------

Tensiune nominala	400 V	50 Hz,	UL/ULc						
Tip	Articol nr.	Iesire 400 V	KVAr 415 V	Capacitate μ F	Curent A 400/415V	Dimensiuni $\varnothing * H$ (mm)	Greut kg	Desen nr.	Clasa prot
PhMKP400.1.02,50-A64	5341-48325-xx	2.5		49.7	6.3/6.5	64 * 82	0.3	1	IP20
PhMKP400.1.03,33-A64	5341-48326-xx	3.33		66.2	8.3/8.6	64 * 109	0.4	1	IP20
PhMKP400.1.05,00-A64	5341-48327-xx	5		99.5	12.5/13.0	64 * 140	0.5	1	IP20
PhMKP400.1.06,67-A64	5341-48328-xx	6.67		132.7	16.7/17.3	64 * 190	0.7	1	IP20
PhMKP400.1.08,33-A64	5341-48329-xx	8.33		165.7	20.8/21.6	64 * 190	0.8	1	IP20
PhMKP400.1.10,00-A64	5341-48330-xx	10		198.9	25.0/25.9	64 * 240	0.9	1	IP20

PhMKP400.1.08,33-A84	5341-48637-xx	8.33		165.7	20.8/21.6	84.4 * 140	0.9	3	IP20
----------------------	---------------	------	--	-------	-----------	------------	-----	---	------

PhMKP400.1.10,00-A84	5341-48638-xx	10		198.9	25.0/25.9	84.4 * 140	1.0	3	IP20
----------------------	---------------	----	--	-------	-----------	------------	-----	---	------

PhMKP400.1.16,70-A84	5341-48639-xx	16.7		332.2	41.7/43.3	84.4 * 240	1.3	3	IP20
----------------------	---------------	------	--	-------	-----------	------------	-----	---	------

PhMKP400.1.08,33-84	5341-44437-xx	8.33		165.7	20.8/21.6	84.4 * 140	0.9	2	IP00
---------------------	---------------	------	--	-------	-----------	------------	-----	---	------

PhMKP400.1.10,00-84	5341-44438-xx	10		198.9	25.0/25.9	84.4 * 140	1.0	2	IP00
---------------------	---------------	----	--	-------	-----------	------------	-----	---	------

PhMKP400.1.16,70-84	5341-44439-xx	16.7		332.2	41.7/43.3	84.4 * 240	1.3	2	IP00
---------------------	---------------	------	--	-------	-----------	------------	-----	---	------

Tensiune nominala	525 V	50 Hz,	UL/ULc						
Tip	Articol nr.	Iesire 525 V	KVAr 480 V	Capacitate μ F	Curent A 525/480V	Dimensiuni $\varnothing * H$ (mm)	Greut kg	Desen nr.	Clasa prot
PhMKP525.1.05,00-A64	5341-48331-xx	5	4.2	57.7	9.5/8.8	64 * 140	0.5	1	IP20
PhMKP525.1.08,33-A64	5341-48332-xx	8.33	7.0	96.2	15.9/14.6	64 * 190	0.7	1	IP20
PhMKP525.1.10,00-A64	5341-48333-xx	10	8.4	115.5	19.0/17.5	64 * 240	0.9	1	IP20

PhMKP525.1.16,70-A84	5341-48640-xx	16.7	14.0	192.9	31.6/29.2	84.4 * 240	1.3	3	IP20
----------------------	---------------	------	------	-------	-----------	------------	-----	---	------

PhMKP525.1.20,70-A84	5341-48641-xx	20	16.7	231.0	38.0/34.8	84.4 * 240	1.3	3	IP20
----------------------	---------------	----	------	-------	-----------	------------	-----	---	------

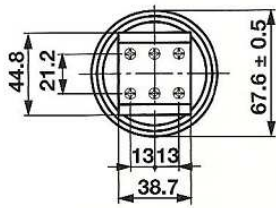
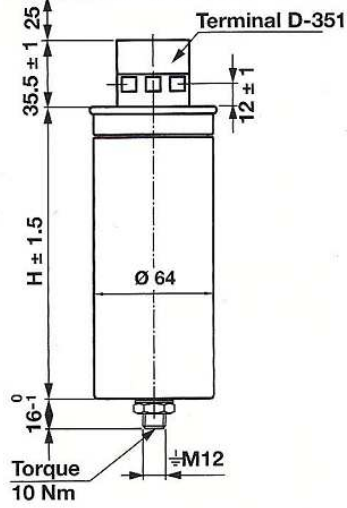
PhMKP525.1.16,70-84	5341-44440-xx	16.7	14.0	192.9	31.6/29.2	84.4 * 240	1.3	2	IP00
---------------------	---------------	------	------	-------	-----------	------------	-----	---	------

PhMKP525.1.20,70-84	5341-44441-xx	20	16.7	231.0	38.0/34.8	84.4 * 240	1.3	2	IP00
---------------------	---------------	----	------	-------	-----------	------------	-----	---	------

Nota

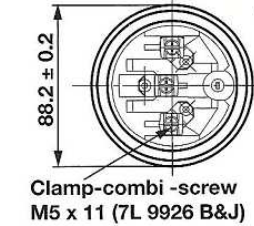
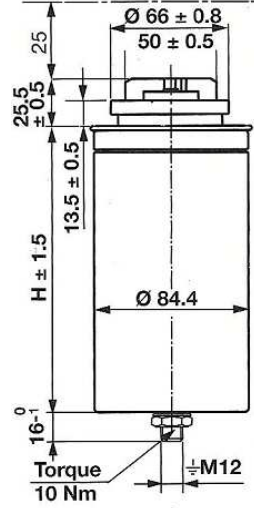
Alte tensiuni nominale, puteri si frecvente sunt possible la cerere. Toate condensatoarele de tip PhMKP pot fi utilizate si in retele cu frecventa 60 Hz, puterea si curentul fiind in aceste cazuri cu 20% mai mari (o sarcina termica suplimentara si in consecinta o clasa de temperature mai mica trebuie avute in vedere in aceste cazuri)

Distanța minimă admisă.



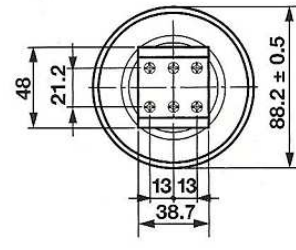
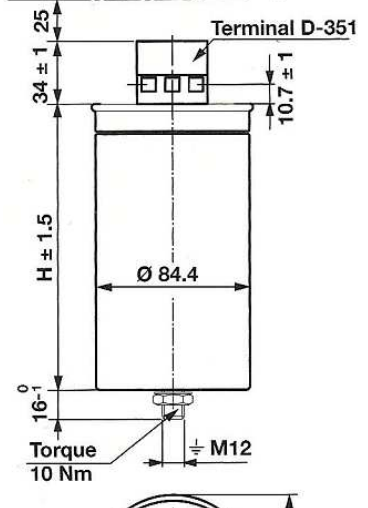
Desenul 1

Distanța minimă admisă.



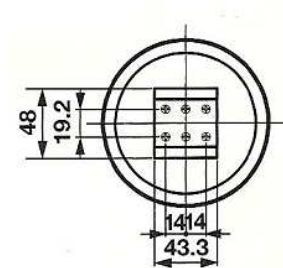
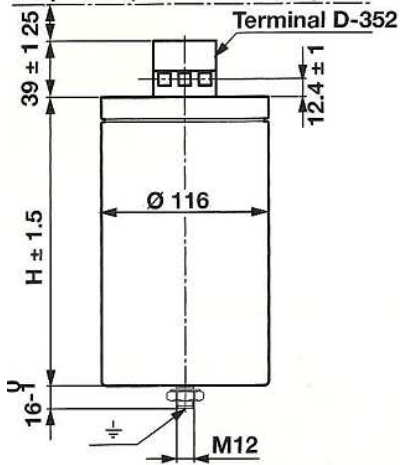
Desenul 2

Distanța minimă admisă.



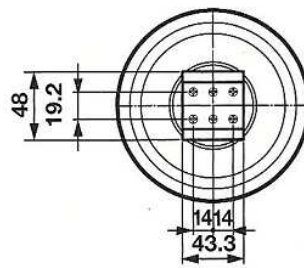
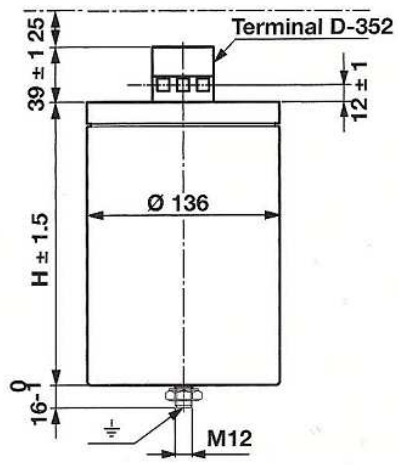
Desenul 3

Distanța minimă admisă.



Desenul 4

Distanța minimă admisă.



Desenul 5